



## INTEGRATES ANY DC PROCESS VARIABLE ANALOG

### FEATURES

- Displays time integral of analog input signal.
- Current or voltage inputs.
- Count rates from 200 to 100000 counts/Hour.
- 8 digit LCD display

### APPLICATIONS

- Can be used with OSI Watt, VAR, or current transducers.
- Accumulate Watt Hours, VAR Hours, Amp Hours, volume, weight, or distance.



INPUT		COUNTS PER HOUR AT FULL SCALE INPUT	COUNTER RESET OPTIONS	
RANGE	DESIGNATION		STANDARD	REMOTE
0 to 50mV	001	SPECIFY REQUIRED COUNTS PER HOUR, FROM 200 TO 100000. ADD SUFFIX "/(COUNT RATE)" TO PART NUMBER. FOR COUNT RATES GREATER THAN 999 SPECIFY USING K, (e.g. 2000=2K).	STANDARD UNIT SUPPLIED WITH BOTH REMOTE AND FRONT PANEL RESET	ADD SUFFIX "-G" TO PART NUMBER FOR REMOTE ONLY RESET
0 to 100mV	002			
0 to 150mV	003			
0 to 250mV	004			
0 to 1mA	005			
0 to 20mA	008			
4 to 20mA	010			
0 to 5Vdc	007			
1 to 5Vdc	009			
0 to 10Vdc	006			

OPTIONAL 220VAC INSTRUMENT POWER-ADD SUFFIX "-22" TO PART NUMBER

### ORDERING INFORMATION

Example: Precision integrator, full scale input of 10Vdc. Count rate of 5500 cts./Hr. with remote only reset.  
**PA-006/5.5K-G**

## MODEL PA SPECIFICATIONS

### INPUT

VOLTAGE: See table

CURRENT: See table

BURDEN (OHMS):

Voltage input models: Greater than 100K

0-1mA input models: Less than 1K

20mA input models: Less than 100

OVERLOAD: 1.25 times full scale

### DISPLAY

COUNTER: 8 digit, 0.32 In. LCD

COUNTER BATTERIES: Internal Lithium

BATTERY LIFE: 8 yrs. (nom.)

RESET: Manual and/or remote

**ACCURACY +/- 0.25% F.S.**

LINEARITY: +/- 0.1% F.S.

TEMPERATURE EFFECT (-20°C to 60°C):

+/- 0.005%/°C

INSTRUMENT POWER (STD.): 115VAC, +/- 10%,

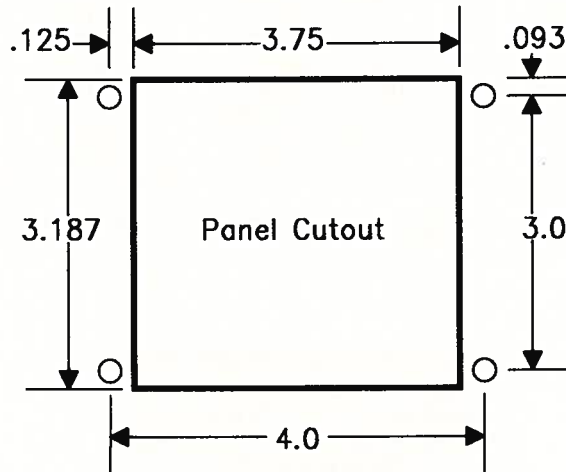
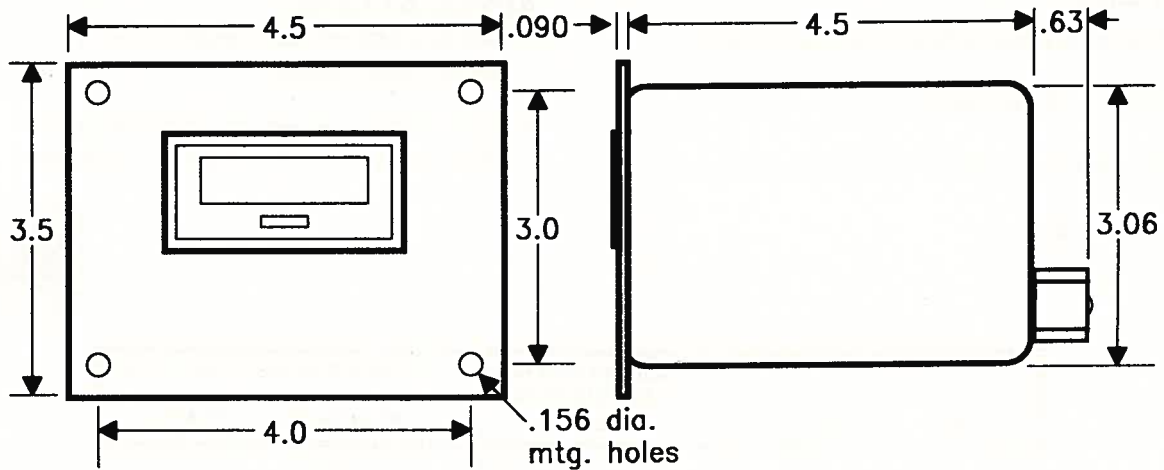
50-400 Hz.

CONNECTION DIAGRAM AND DIMENSIONS SHOWN ON REVERSE SIDE

**OHIO SEMITRONICS, INC.** 4242 REYNOLDS DRIVE \* HILLIARD, OHIO \* 43026-1264  
PHONE: (614) 777-1005 \* FAX: (614) 777-4511  
WWW.OHIOSEMITRONICS.COM \* 1-800-537-6732

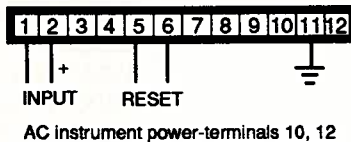


# CASE DIMENSIONS



ALL DIMENSIONS IN INCHES

# CONNECTION DIAGRAM



### CONNECTIONS

All connections are made via terminal strip located on the back of the model PA. The captive screws of the terminal strip will accept wire sizes from # 12 AWG to #30 AWG, (stripped 1/4 Inch).

**INSTRUMENT POWER**-Connect the AC instrument power to terminals 10, and 12. Connect terminal 11 to ground.

**INPUT FUSING**-If fusing is required, a 1/8 Amp MDL Slo Blo fuse is recommended-connect to terminal 12.

**RESET-FRONT PANEL RESET**-actuated by manual push button.

**REMOTE RESET**-Connect switch or normally open relay across terminals 5, and 6.

**OHIO SEMITRONICS, INC.** 4242 REYNOLDS DRIVE \* HILLIARD, OHIO \* 43026-1264  
PHONE: (614) 777-1005 \* FAX: (614) 777-4511  
WWW.OHIOSEMITRONICS.COM \* 1-800-537-6732